



CyberCogs CC-SGM100 Secure Gateway Product Specifications

HARDWARE SPECIFICATIONS

- **Dimensions:** 77w x 102d x 31h (mm)
- **Power:** 6-30VDC
- **Communication Ports:**
 - 4 CAN FD bus ports
 - 2 USB3.1 port (high speed)
 - 2 LIN buses (optional)
 - 1 OBD II port with:
 - 2 CAN FD
- **Input/output ports:**
 - 4 reprogrammable Analog/Discrete I/O
 - Analog inputs with 12 bit resolution
 - Mixed signal PWM input
 - Discrete inputs, programmable thresholds
 - Discrete outputs:
 - Low Side drive
 - High Side drive
 - 4 Discrete inputs/Analog input/PWM input
- **Processor:** Dual core ARM Cortex M7
- **Memory:**
 - 4MBytes flash with ECC protection
 - 512KBytes of RAM with ECC protection
 - 1Gbyte of storage (optional)
- **Package:** ABS black plastic – UL 94 V0
- **Temperature range:** -40 to 85C

ADDITIONAL FEATURES

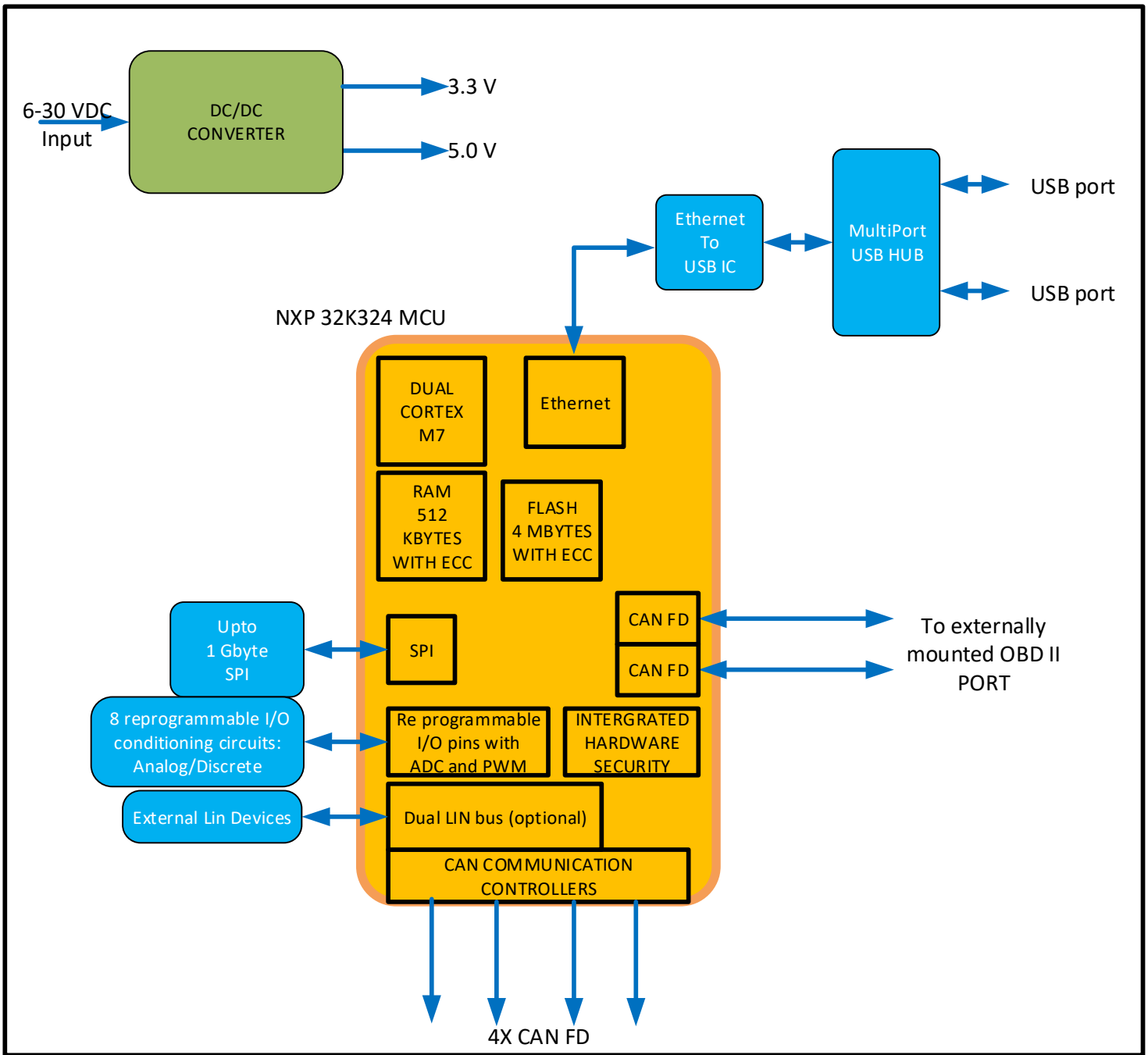
- ISO26262 , ASIL-A compliant
- USA designed and manufactured
- Integrated HSM
- Secure boot
- Secure internal key storage for signing, verification, and encryption in secure module subcomponent

SOFTWARE FEATURES

- Adaptable Software with modular design for easy integration, performing all gateway functions
- ISS FlexHSM pre-ported through partnership with ISS
- ISS FlexUpdate pre-ported through partnership with ISS
- ISS DLM Trust for provisioning through partnership with ISS
- Secure communication available through DLM Trust (available through partnership with ISS)
- ISS DLM Update for OTA Updates of any ECU including CyberCogs SGW through partnership with ISS
- ISS AutoAuth ready for CyberCogs SGM through partnership with ISS

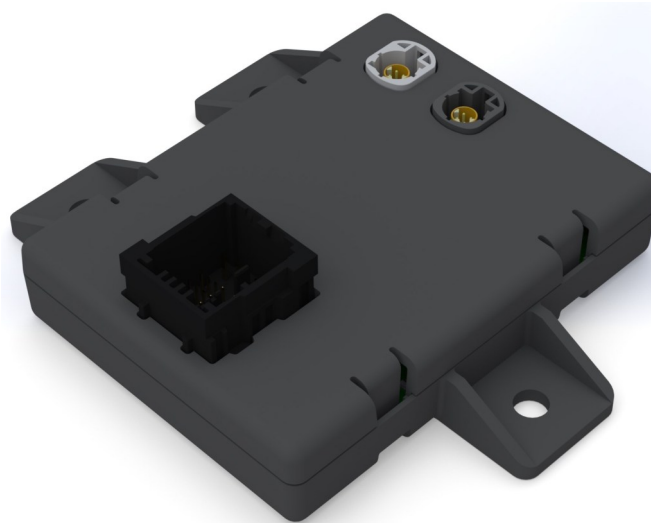
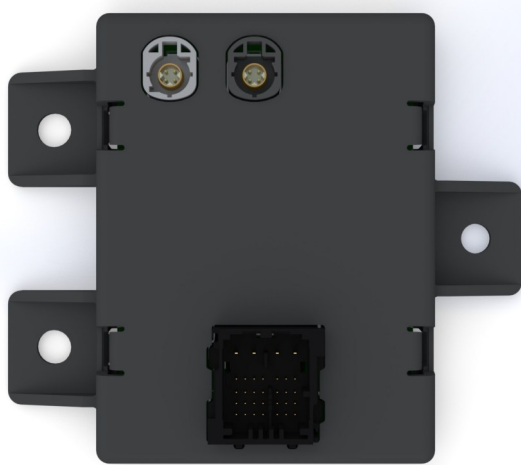
CyberCogs CC-SGM100 Block Diagram

B



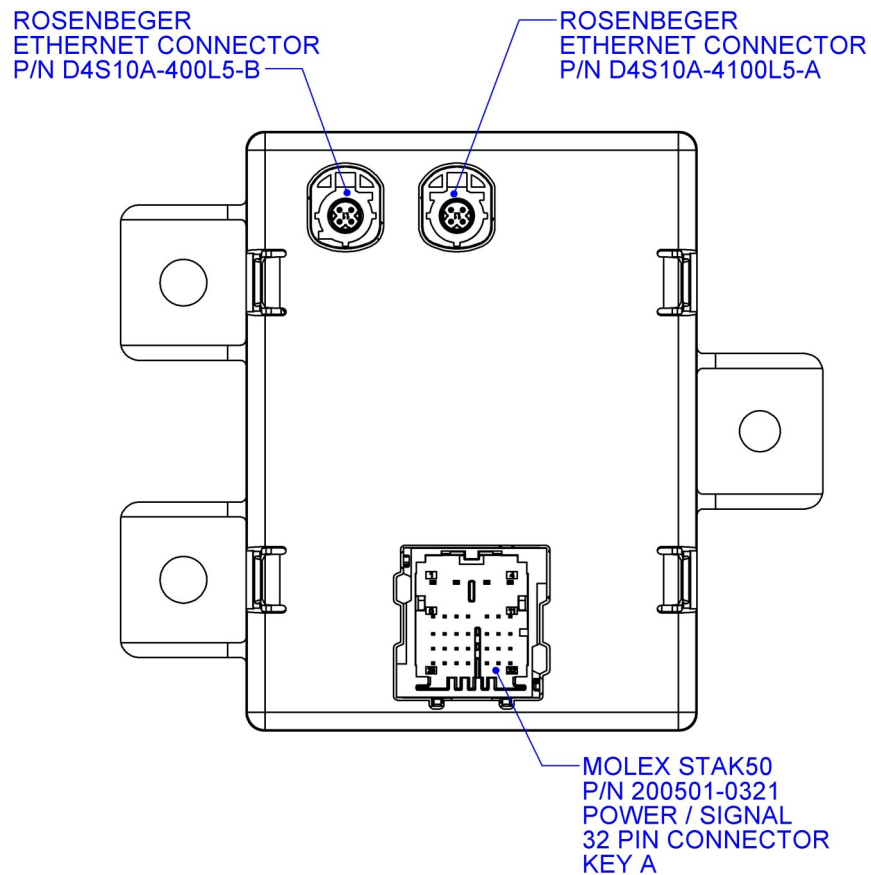


CyberCogs CC-SGM100 Depiction Product Specifications





CyberCogs CC-SGM100 connector description Product Specifications





CyberCogs CC-SGM100 Dimensional Drawings Product Specifications

