



CyberCogs CC-TELM100 Telematics module Product Specifications

HARDWARE SPECIFICATIONS

- **Dimensions:** 155w x 138d x 39h (mm)
- **Power:** 5Volt USB power
6-30VDC (optional)
- **Communication Interfaces:**
 - LTE Cellular -LTE M1, NB1, NB2 with integrated Antenna
 - GPS -L1C/A with integrated Antenna
 - WiFi - 802.11b.b/n with integrated Antenna
 - BLE - Bluetooth 4.2 BR/EDR with integrated Antenna
- **Communication Ports:**
 - 1 CAN FD bus ports (optional)
 - 1 USB3.1 port (high speed)
- **Input/output ports:**
 - 8 reprogrammable Analog/Discrete I/O
 - Analog inputs with 12 bit resolution
 - Mixed signal PWM input
 - Discrete inputs, programmable thresholds
 - Discrete outputs:
 - Low Side drive
 - High Side drive
- **Processor:** ARM Cortex A5
- **Memory:**
 - 512Mbyte DDRAM
 - 64Mbytes FLASH
- **Package:** ABS black plastic – UL 94 V0
- **Temperature range:** -40 to 85C

ADDITIONAL FEATURES

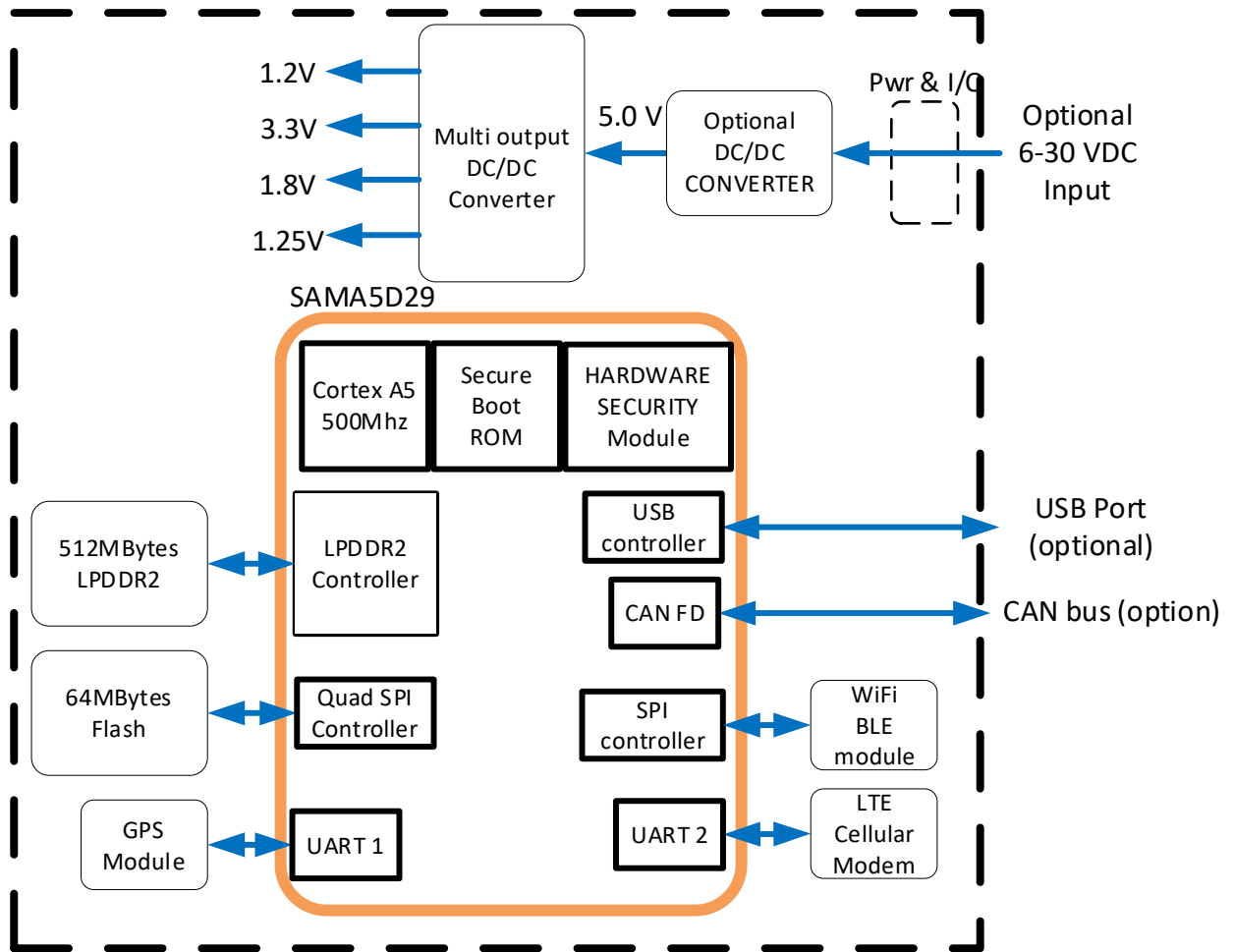
- ISO26262 , ASIL-A compliant
- USA designed and manufactured
- Integrated HSM
- Secure boot
- Secure internal key storage for signing, verification, and encryption in secure module subcomponent
- Customizable hardware and software options available

AutoAUTH FLEET MANGAMENT FEATURES

- Real-Time GPS Tracking
- Remote Pre-Conditioning (No remote start for an EV)
- Vehicle Maintenance Management
- Vehicle Health Monitoring
- Fuel Management
- Driver Behavior Monitoring
- Compliance Management
- Asset Tracking
- Flash DLM Updates via OTA – Secure Bi-Directional push and pull data to and from vehicle
- MFA of all Drivers and Fleet Administrators
- Remote Lock/Unlock
- Slate App integration

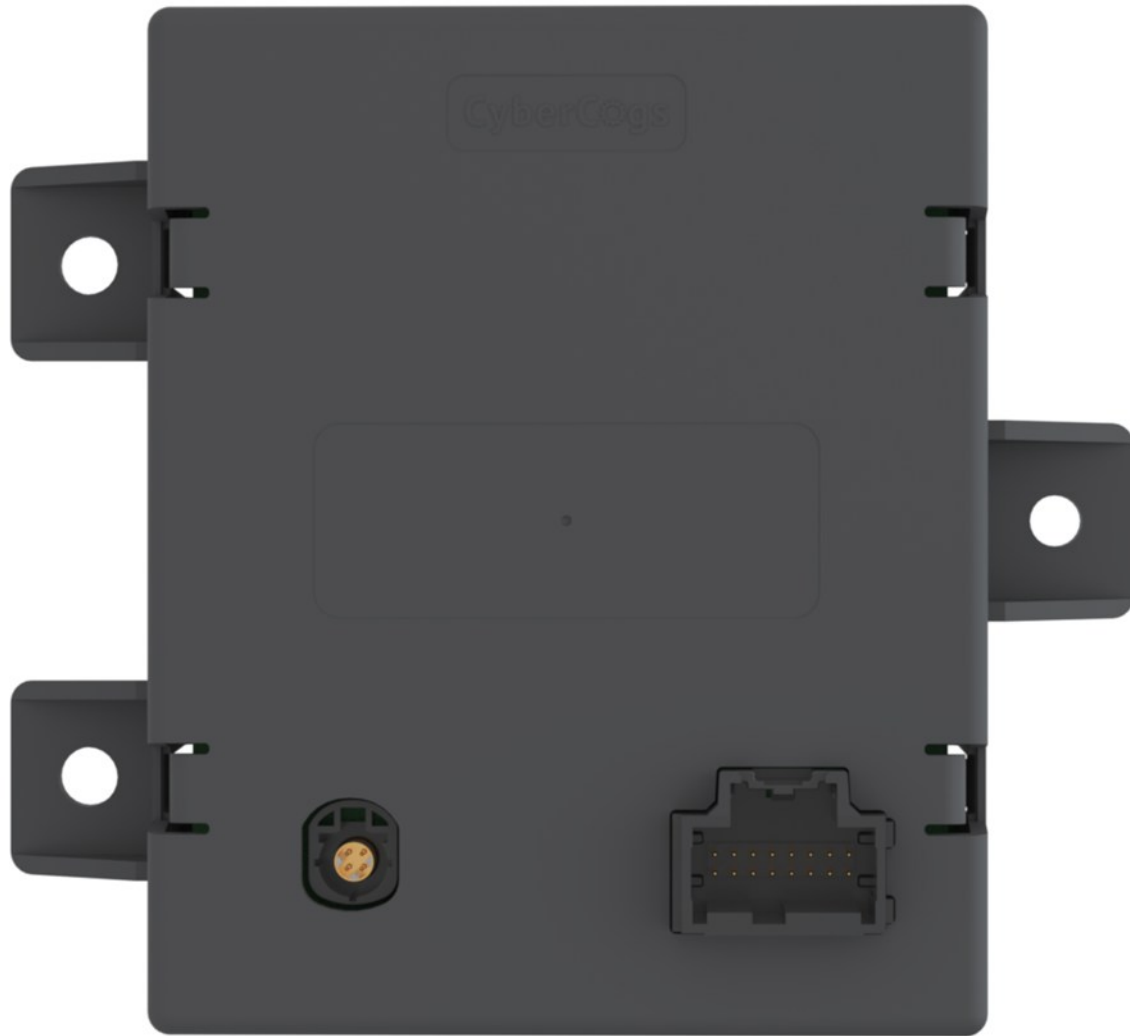


CyberCogs CC-TEL100 Block Diagram



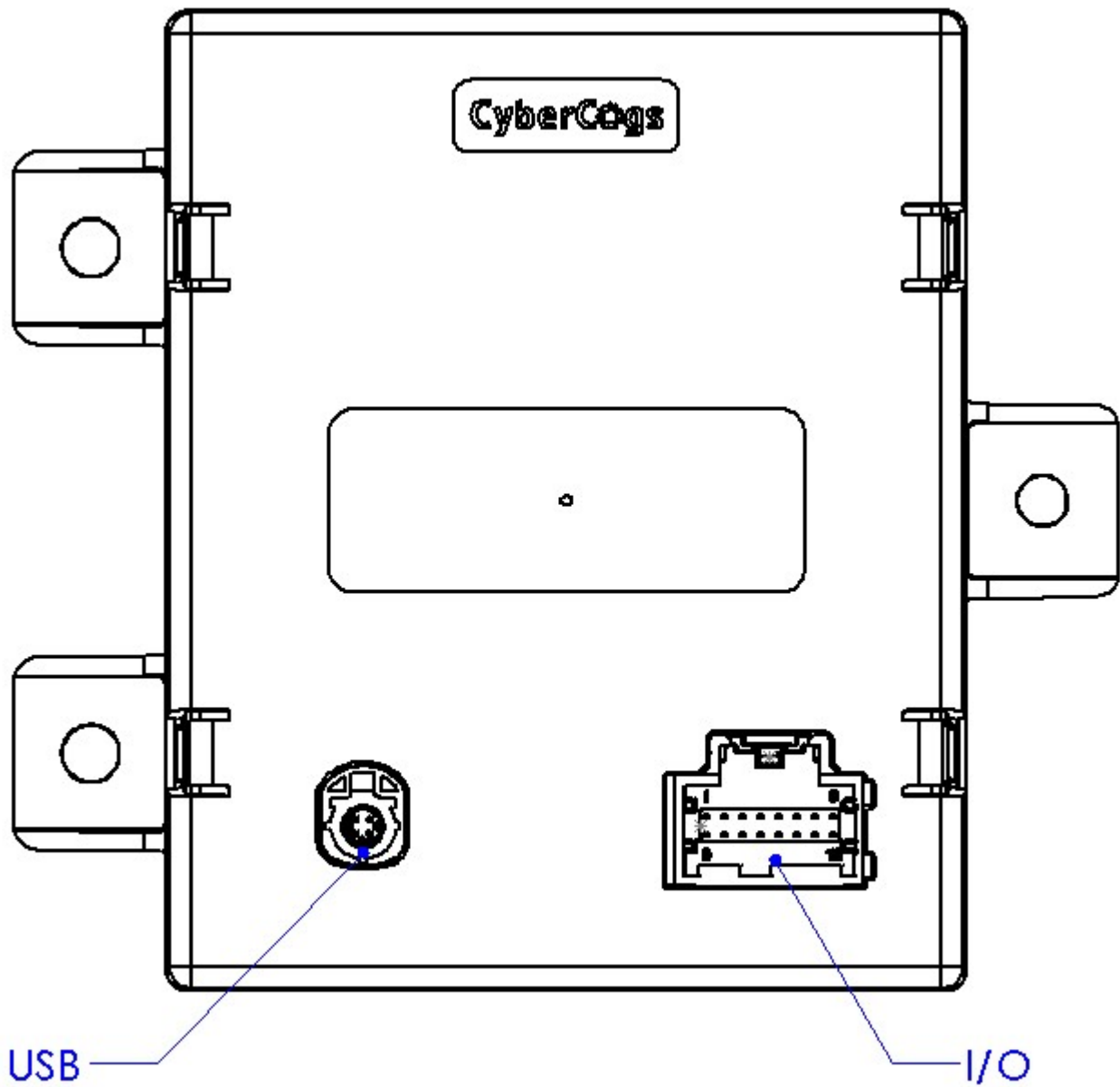


CyberCogs CC-TEL100 Depiction





CyberCogs CC-TEL100 connector description





CyberCogs CC-TEL100 Dimensional Drawings

